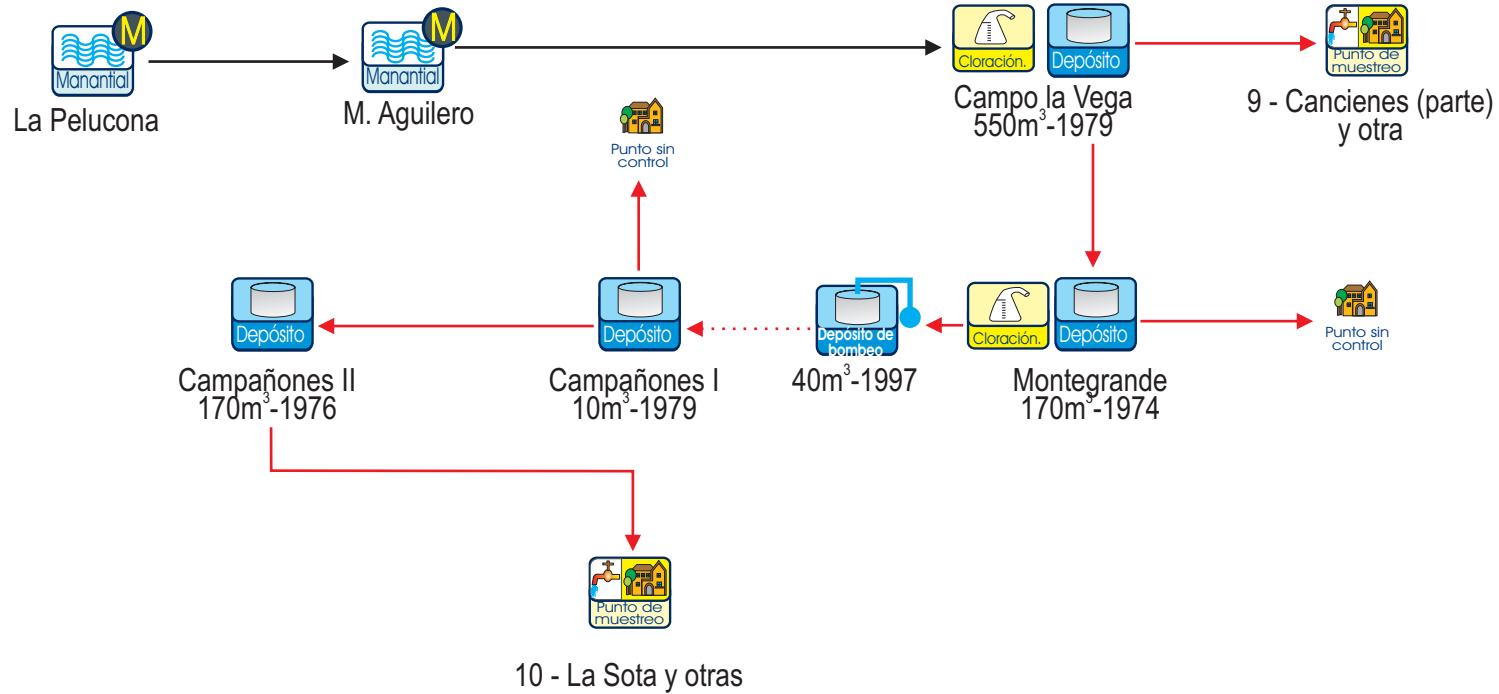


3.- ABASTECIMIENTO A CANCIENES

| Titular: | | AYUNTAMIENTO DE CORVERA | | | | | | Gestor: SERVICIO DE AGUAS | | | | | | | | | | | | | | | | | |
|--------------|-------------------|------------------------------------|------------|-----------------|-----------------|-------------------|---------------|---------------------------|-------------|----|-------------|---|----|---|---|----|--------------|--|--|--|--|--|--|--|--|
| Nº P.M. | Entidad singular | Población (Nomenclator 2003-SADEI) | | | | | Depósito | Captación | Tratamiento | | Nº Análisis | | | Nº determinaciones cloro residual libre | | | | | | | | | | | |
| | | De derecho | Abastecida | Controlada E.S. | Controlada P.M. | % Controlada P.M. | | | ETAP | CI | Tot | A | NA | Tot | C | H | A | | | | | | | | |
| 9 | Cancienes (Parte) | 1.060 | 1.000 | 1.000 | 1.015 | 6,4 | Campo La Vega | M. Fuentecaliente | X | 5 | 5 | 0 | 89 | 73 | 5 | 11 | | | | | | | | | |
| | Campo La Vega | 15 | 15 | 15 | | | | | | | | | | | | | | | | | | | | | |
| 10 | La Sota | 61 | 61 | 61 | 327 | 2,1 | Campañones | M. Fuentecaliente | X | 5 | 5 | 0 | 7 | 6 | 1 | 0 | | | | | | | | | |
| | El Llano | 50 | 50 | 50 | | | | | | | | | | | | | | | | | | | | | |
| | Campañones | 83 | 83 | 83 | | | | | | | | | | | | | | | | | | | | | |
| | La Cruzada | 11 | 11 | 11 | | | | | | | | | | | | | | | | | | | | | |
| | Calabaza | 16 | 16 | 16 | | | | | | | | | | | | | | | | | | | | | |
| | Alvares | 22 | 22 | 22 | | | | | | | | | | | | | | | | | | | | | |
| | Rodiles | 29 | 29 | 29 | | | | | | | | | | | | | | | | | | | | | |
| | Agüera | 46 | 46 | 46 | | | | | | | | | | | | | | | | | | | | | |
| | El Monte | 9 | 9 | 9 | | | | | | | | | | | | | | | | | | | | | |
| | El Ponton (Solis) | 60 | 60 | 0 | | | | | | | | | | | | | Monte Grande | | | | | | | | |
| | Santa Marina | 8 | 8 | 0 | | | | | | | | | | | | | | | | | | | | | |
| | Sama De Arriba | 11 | 11 | 0 | | | | | | | | | | | | | | | | | | | | | |
| Total | | 1.481 | 1.421 | 1.342 | 1.342 | 8 | | | | 10 | 10 | 0 | 96 | 79 | 6 | 11 | | | | | | | | | |

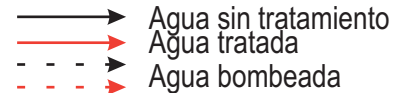


Símbolos empleados

Procedencia



Tratamiento



Almacenamiento y distribución



Abastecimiento y Control



1.- ABASTECIMIENTO A LAS VEGAS, LOS CAMPOS Y TRASONA

| Titular: | | AYUNTAMIENTO DE CORVERA | | | | | Gestor: SERVICIO DE AGUAS | | | | | | | | | | |
|------------|------------------|------------------------------------|------------|-----------------|-----------------|-------------------|---------------------------|-------------|-------------|----|-------------|---|----|---|---|---|---|
| Nº P.M. | Entidad singular | Población (Nomenclator 2003-SADEI) | | | | | Depósito | Captación | Tratamiento | | Nº Análisis | | | Nº determinaciones cloro residual libre | | | |
| | | De derecho | Abastecida | Controlada E.S. | Controlada P.M. | % Controlada P.M. | | | ETAP | CI | Tot | A | NA | Tot | C | H | A |
| 1 | La Laguna | 7 | 7 | 7 | 132 | 0,8 | La Laguna | A. Rozaflor | X (3) | | 2 | 2 | 0 | 2 | 1 | 1 | 0 |
| | Tras La Iglesia | 18 | 18 | 18 | | | | A. Faxeras | | | | | | | | | |
| | El Truebano | 70 | 70 | 70 | | | | | | | | | | | | | |
| | Vallin | 14 | 14 | 14 | | | | | | | | | | | | | |
| | Villa | 23 | 23 | 23 | | | | | | | | | | | | | |
| 2 | Entrialgo | 100 | 100 | 100 | 512 | 3,2 | Villa | A. Rozaflor | X | | 5 | 4 | 1 | 8 | 8 | 0 | 0 |
| | Lloreda | 65 | 65 | 65 | | | Las Murias | A. Faxeras | | | | | | | | | |
| | Barriero | 1 | 1 | 1 | | | | | | | | | | | | | |
| | Capiello | 21 | 21 | 21 | | | | | | | | | | | | | |
| | Fabar | 14 | 14 | 14 | | | | | | | | | | | | | |
| | Las Huertas | 51 | 51 | 51 | | | | | | | | | | | | | |
| | La Llamera | 17 | 17 | 17 | | | | | | | | | | | | | |
| | El Ponton | 19 | 19 | 19 | | | | | | | | | | | | | |
| | El Suco | 23 | 23 | 23 | | | | | | | | | | | | | |
| | La Tabla | 9 | 9 | 9 | | | | | | | | | | | | | |
| | Candamo | 53 | 53 | 53 | | | | | | | | | | | | | |
| | Carruebano | 5 | 5 | 5 | | | | | | | | | | | | | |
| La Escuela | 54 | 54 | 54 | | | | | | | | | | | | | | |

1.- ABASTECIMIENTO A LAS VEGAS, LOS CAMPOS Y TRASONA

| Titular: | | AYUNTAMIENTO DE CORVERA | | | | | | Gestor: SERVICIO DE AGUAS | | | | | | | | | |
|----------|------------------|------------------------------------|------------|-----------------|-----------------|-------------------|-----------|---------------------------|-------------|----|-------------|---|----|---|-----|---|---|
| Nº P.M. | Entidad singular | Población (Nomenclator 2003-SADEI) | | | | | Depósito | Captación | Tratamiento | | Nº Análisis | | | Nº determinaciones cloro residual libre | | | |
| | | De derecho | Abastecida | Controlada E.S. | Controlada P.M. | % Controlada P.M. | | | ETAP | CI | Tot | A | NA | Tot | C | H | A |
| 3 | Garcia | 18 | 18 | 18 | | | El Pino | A. Rozaflor | X | | 4 | 4 | 0 | 6 | 3 | 0 | 3 |
| | El Pidre | 28 | 28 | 28 | | | | | | | | | | | | | |
| | Ralla | 34 | 34 | 34 | | | | | | | | | | | | | |
| | El Pino | 92 | 92 | 92 | 323 | 2,0 | | | | | | | | | | | |
| | La Ablaneda | 2 | 2 | 2 | | | | | | | | | | | | | |
| | La Estebanina | 24 | 24 | 24 | | | | | | | | | | | | | |
| | Villanueva | 24 | 24 | 24 | | | | | | | | | | | | | |
| | El Sabledal | 35 | 35 | 35 | | | | | | | | | | | | | |
| | Juncedo - Campo | 54 | 54 | 54 | | | | | | | | | | | | | |
| | Llandones | 13 | 13 | 13 | | | | | | | | | | | | | |
| | Barrio - Molleda | 18 | 18 | 18 | | | | | | | | | | | | | |
| | El Monco | 35 | 35 | 35 | | | | | | | | | | | | | |
| | Peruyal | 2 | 2 | 2 | | | | | | | | | | | | | |
| | La Reguera | 23 | 23 | 23 | | | | | | | | | | | | | |
| | Lavandera | 1 | 1 | 1 | | | | | | | | | | | | | |
| 4 | Las Vegas | 7.697 | 7.697 | 7.697 | 7.857 | 49,7 | La Rozona | Emb. Tanes (CADASA) | X | X | 6 | 6 | 0 | 174 | 174 | 0 | 0 |
| | La Estrada | 160 | 160 | 160 | | | | | | | | | | | | | |

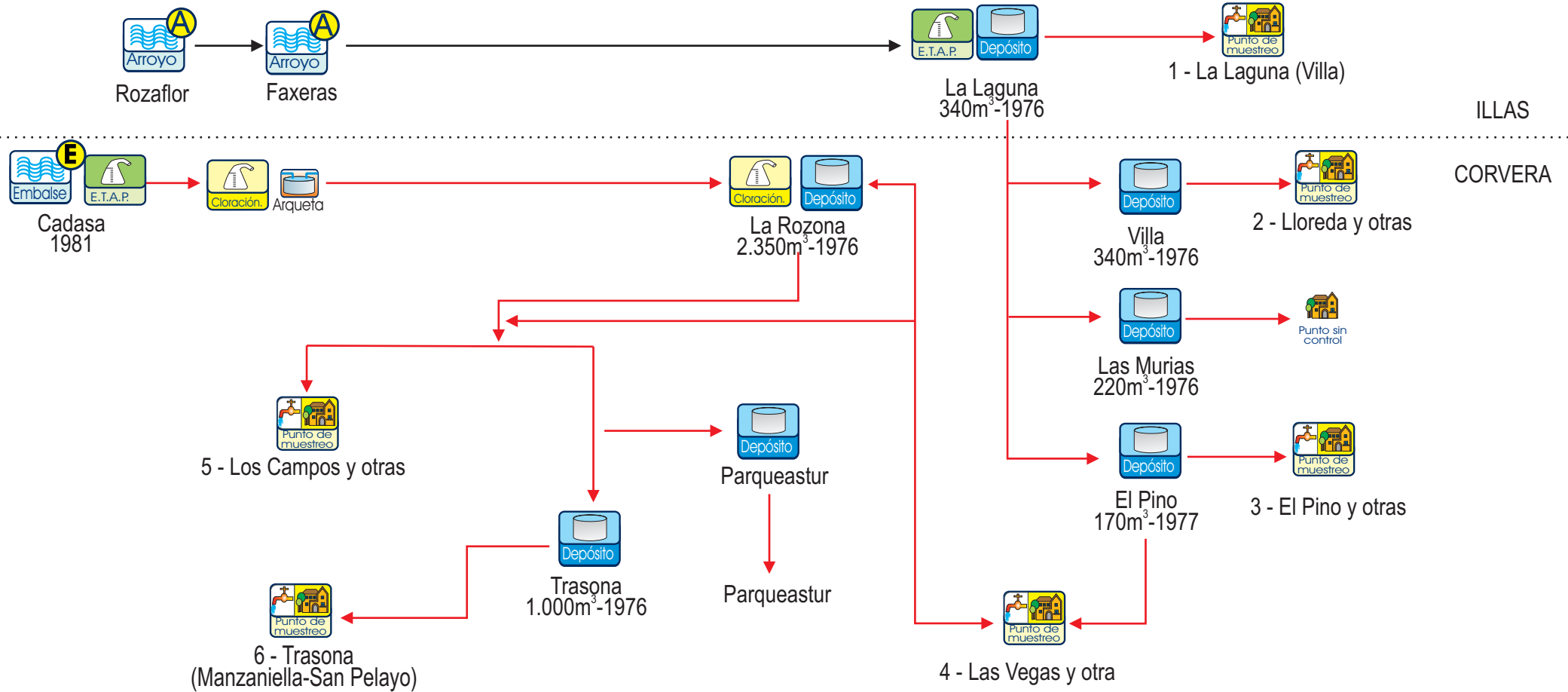
1.- ABASTECIMIENTO A LAS VEGAS, LOS CAMPOS Y TRASONA

| Titular: | | AYUNTAMIENTO DE CORVERA | | | | | Depósito | | Gestor: | | SERVICIO DE AGUAS | | | | | | | | | |
|----------|------------------|------------------------------------|------------|-----------------|-----------------|-------------------|-----------|-----------------------|-----------------------|----|-------------------|---|----|---|---|---|---|--|--|--|
| Nº P.M. | Entidad singular | Población (Nomenclator 2003-SADEI) | | | | | Depósito | Captación | Tratamiento | | Nº Análisis | | | Nº determinaciones cloro residual libre | | | | | | |
| | | De derecho | Abastecida | Controlada E.S. | Controlada P.M. | % Controlada P.M. | | | ETAP | CI | Tot | A | NA | Tot | C | H | A | | | |
| 5 | Los Campos | | | | | | El Pino | A. Rozaflor | X | | | | | | | | | | | |
| | | | | | | | | A. Faxeras | | | | | | | | | | | | |
| | | 762 | 762 | 762 | 2.689 | 17,0 | La Rozona | Emb. Tanes (CADASA) | X | X | 9 | 9 | 0 | 9 | 9 | 0 | 0 | | | |
| | | | | | | | | | Emb. Rioseco (CADASA) | | | | | | | | | | | |
| | | 1.206 | 1.206 | 1.206 | | | El Pino | A. Rozaflor | | | | | | | | | | | | |
| | | 108 | 108 | 108 | | | | A. Faxeras | | | | | | | | | | | | |
| | | 14 | 14 | 14 | | | | | | | | | | | | | | | | |
| | | 599 | 599 | 599 | | | | | | | | | | | | | | | | |
| 6 | Trasona | 0 | 0 | 0 | 2.085 | 13,2 | La Rozona | Emb. Tanes (CADASA) | X | X | 8 | 8 | 0 | 8 | 8 | 0 | 0 | | | |
| | | 223 | 223 | 223 | | | | Emb. Rioseco (CADASA) | | | | | | | | | | | | |
| | | 180 | 180 | 180 | | | El Pino | A. Rozaflor | X | | | | | | | | | | | |
| | | 96 | 96 | 96 | | | | A. Faxeras | | | | | | | | | | | | |
| | | 135 | 135 | 135 | | | | | | | | | | | | | | | | |
| | | 203 | 203 | 203 | | | | | | | | | | | | | | | | |
| | | 160 | 160 | 160 | | | | | | | | | | | | | | | | |
| | | 31 | 31 | 31 | | | | | | | | | | | | | | | | |
| | | 6 | 6 | 6 | | | | | | | | | | | | | | | | |

1.- ABASTECIMIENTO A LAS VEGAS, LOS CAMPOS Y TRASONA

| Titular: | | AYUNTAMIENTO DE CORVERA | | | | | Gestor: SERVICIO DE AGUAS | | | | | | | | | | | |
|----------|------------------|------------------------------------|------------|-----------------|-----------------|-------------------|---------------------------|-----------|-------------|----|-------------|----|----|---|-----|---|---|--|
| Nº P.M. | Entidad singular | Población (Nomenclator 2003-SADEI) | | | | | Depósito | Captación | Tratamiento | | Nº Análisis | | | Nº determinaciones cloro residual libre | | | | |
| | | De derecho | Abastecida | Controlada E.S. | Controlada P.M. | % Controlada P.M. | | | ETAP | CI | Tot | A | NA | Tot | C | H | A | |
| | Tras Monte | 13 | 13 | 13 | | | | | | | | | | | | | | |
| | El Pedrero | 205 | 205 | 205 | | | | | | | | | | | | | | |
| | Overo | 62 | 62 | 62 | | | | | | | | | | | | | | |
| | Truyes | 8 | 8 | 8 | | | | | | | | | | | | | | |
| | Gabitos | 14 | 14 | 14 | | | | | | | | | | | | | | |
| | El Palacio | 31 | 31 | 31 | | | | | | | | | | | | | | |
| | Marzaniella | 718 | 718 | 718 | | | | | | | | | | | | | | |
| | Total | 14.040 | 14.040 | 14.040 | 14.040 | 88,9 | | | | | 34 | 33 | 1 | 207 | 203 | 1 | 3 | |

1 - Abastecimiento a Las Vegas, Los Campos, Trasona

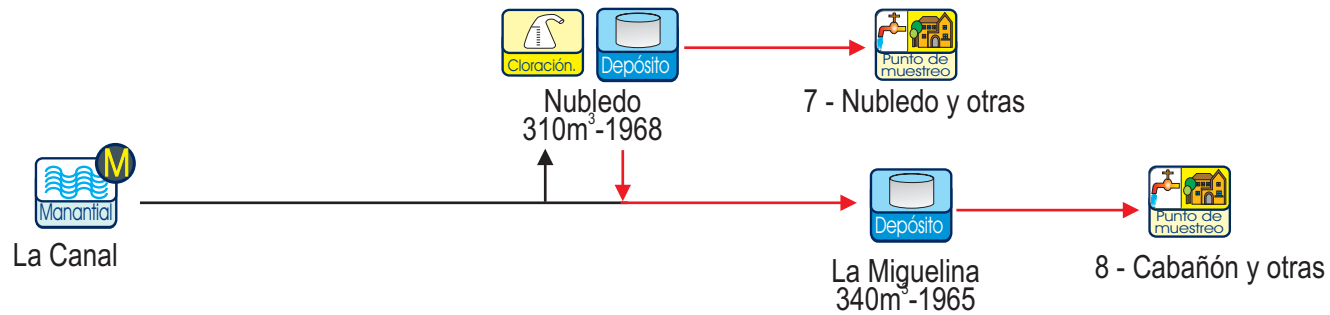


Símbolos empleados

| Procedencia | Tratamiento | Abastecimiento y Control |
|--|--|--|
| Arroyo Rio Manantial Embalse Sondeo | Estación de tratamiento de aguas potables Cloración | Punto de muestreo Punto sin control Fuente pública |
| Almacenamiento y distribución Deposito de bombeo Depósito Arqueta Llave | Agua sin tratamiento Agua tratada Agua bombeada | |

2.- ABASTECIMIENTO A NUBLEDO

| Titular: | | AYUNTAMIENTO DE CORVERA | | | | | Gestor: SERVICIO DE AGUAS | | | | | | | | | | |
|--------------|-------------------|------------------------------------|------------|-----------------|-----------------|-------------------|---------------------------|-------------|-------------|----|-------------|---|----|---|----|---|---|
| Nº P.M. | Entidad singular | Población (Nomenclator 2003-SADEI) | | | | | Depósito | Captación | Tratamiento | | Nº Análisis | | | Nº determinaciones cloro residual libre | | | |
| | | De derecho | Abastecida | Controlada E.S. | Controlada P.M. | % Controlada P.M. | | | ETAP | CI | Tot | A | NA | Tot | C | H | A |
| 7 | Nubledo | 168 | 168 | 168 | 226 | 1,4 | Nubledo | M. La Canal | | X | 5 | 5 | 0 | 7 | 7 | 0 | 0 |
| | Camina | 41 | 41 | 41 | | | | | | | | | | | | | |
| | Barredo | 17 | 17 | 17 | | | | | | | | | | | | | |
| 8 | El Cabañon | 66 | 66 | 66 | 261 | 1,7 | La Miguelina | M. La Canal | | X | 4 | 4 | 0 | 6 | 6 | 0 | 0 |
| | Mora | 101 | 101 | 101 | | | | | | | | | | | | | |
| | El Martinete | 7 | 7 | 7 | | | | | | | | | | | | | |
| | Sama De Abajo | 27 | 27 | 27 | | | | | | | | | | | | | |
| | Cancienes (Parte) | 1060* | 60 | 60 | | | | | | | | | | | | | |
| Total | | 427 | 487 | 487 | 487 | 3,1 | | | | | 9 | 9 | 0 | 13 | 13 | 0 | 0 |



Símbolos empleados

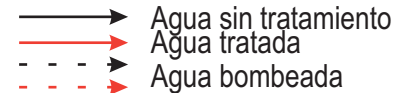
Procedencia



Tratamiento



Estación de
tratamiento de
aguas potables



Almacenamiento
y distribución



Abastecimiento
y Control



Fuente
pública